
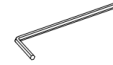
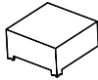


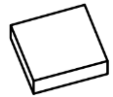


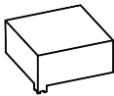

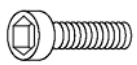
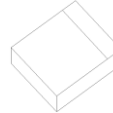
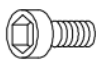
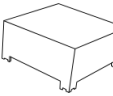

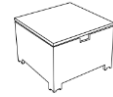




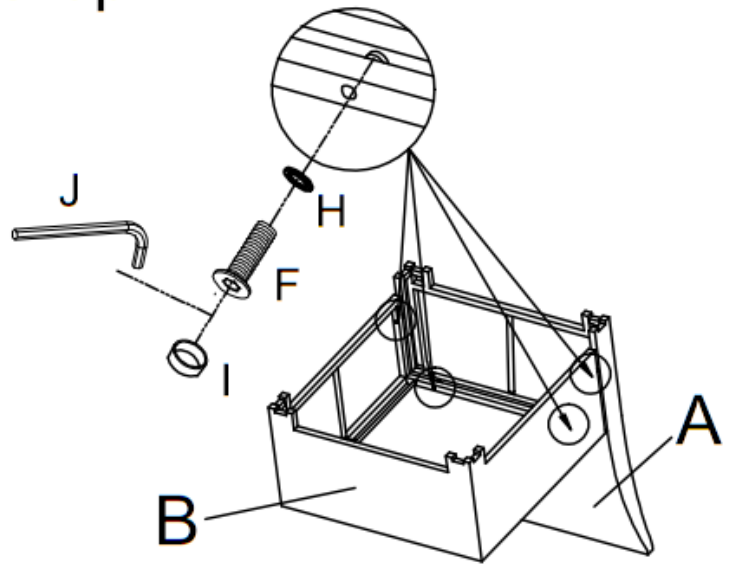
6PC WICKER SECTIONAL WITH CUSHION

Assembly Instructions

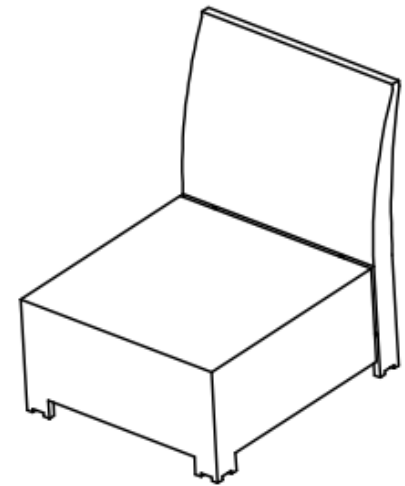
- ✧ **WARNING!** Adult assembly required. Please keep screws and parts out of reach of children.
- ✧ Wait to fully tighten the fasteners until all have been inserted and hand tightened.
- ✧ Do not sit or stand on the table as it may cause injury.

Parts List							
A	Armless Chair Back Panel		2	J	Wrench		1
B	Armless Chair Seat		2	K	Connector		4
C	Corner Chair Back Panel 1		2	L	Chair Seat Cushion		4
D	Corner Chair Back Panel 2		2	M	Chair Back Cushion(Big One)		4
E	Corner Chair Seat		2	N	Chair Back Cushion(Small One)		2
F	Bolt M6x35mm		20	O	Ottoman Cushion		1
G	Bolt M6x15mm		8	P	Ottoman		1
H	Washer		28	Q	Coffee Table		1
I	Bolt Cover		28	R	Clip		10

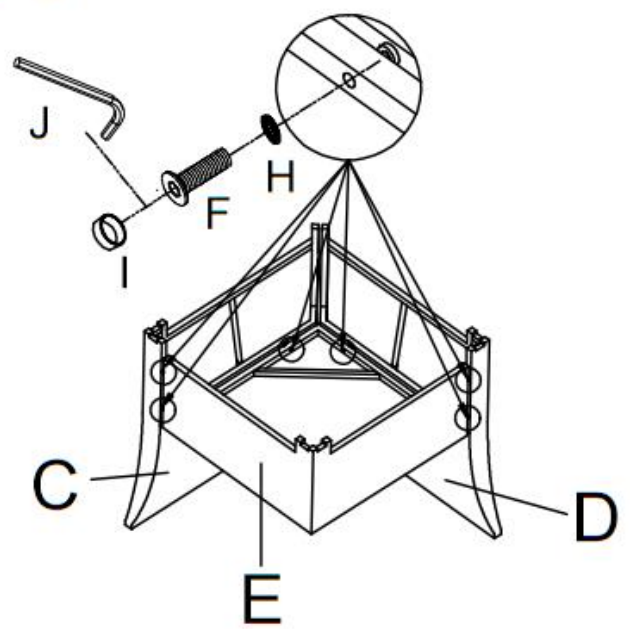
Step 1



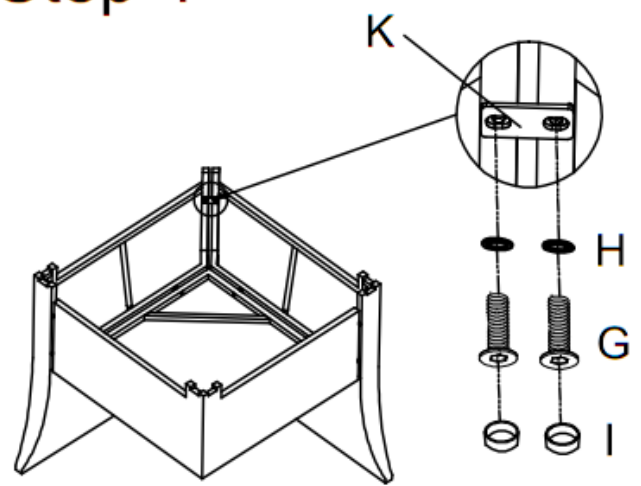
Step 2



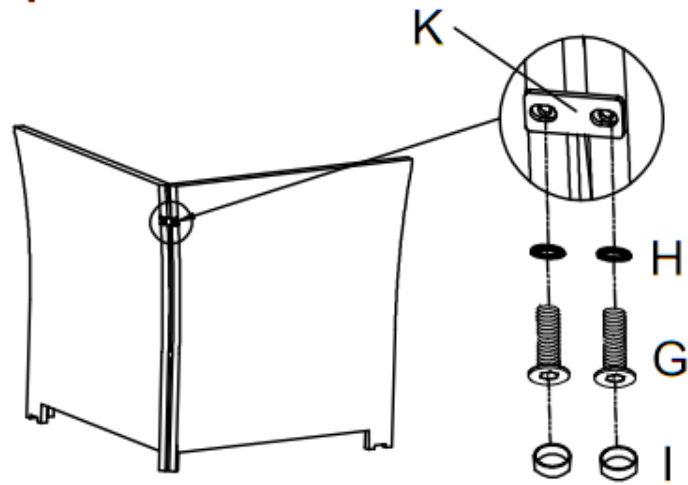
Step 3



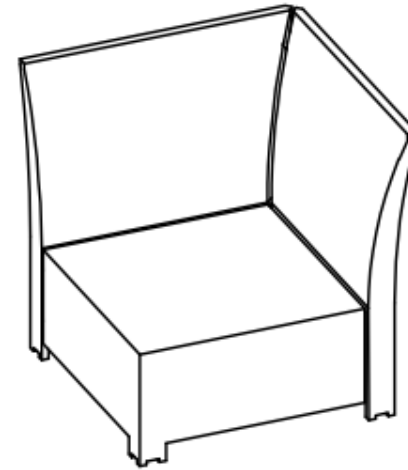
Step 4



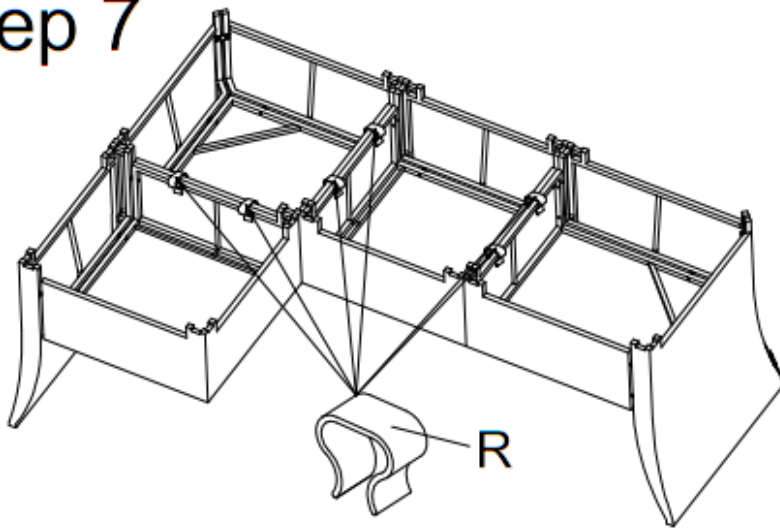
Step 5



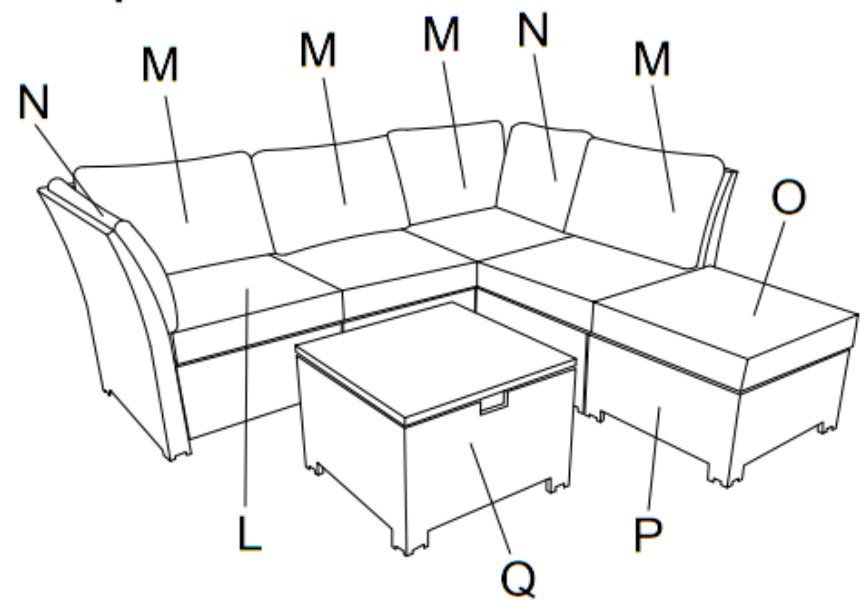
Step 6



Step 7



Step 8



OTTOMAN CAN BE ATTACHED ALSO WITH "U" CLIPS.

Care & Maintenance

Wear and tear including but not limited to rust, paint chips and scratches on your patio furniture set is not covered in the warranty. As such, please note the below:

Your tables and chairs are made from durable Powder Coated Steel frames that will need maintenance to keep looking great and functioning well. In order to best manage natural wear and tear, we highly recommend covering your patio furniture when not in use and especially during inclement weather. Patio furniture covers can be purchased at many retailers and on the Internet.

If your furniture remains in inclement weather, we recommend inspecting for signs of rust. If rust is dripping from your tables or chairs, wipe up and rinse the table/chair and ground area to avoid staining. You may also choose to move your table/chair to separate area to dry off to avoid staining your deck or patio.

Most rust can be treated with the touch up paint (not included). You may request from customer service by calling 888-529-6524. You can also apply secondary market rust inhibitor products / paint available at many retail outlets.

1 Year Limited Warranty

What is covered: One year warranty on the steel frame structure and welds to the original purchaser from the date of purchase. Should the steel frame fail due to a manufacturing defect, we will repair or replace at our option.

What is not covered: Warranty does not cover damage due to rust, weather, general use or misuse, commercial use, scratches/paint chips, fading paint, fading fabric, cracking or discoloration of wicker or anything considered general wear and tear. Freight and handling charges to and from our service center are not covered in the warranty. In some cases, photography may be required for service to be rendered.

- Proof of purchase is required for all warranty claims.
- Products not sold in their original packaging, floor models or products sold at markdown not in original condition may be excluded from warranty at our discretion.
- Warranty subject to change without notification.
- For more information, please visit www.SarasotaBreezeService.com or email us at Sarasota@4seasonsglobal.com
- For parts requests and customer service, please call 1.888.529.6524